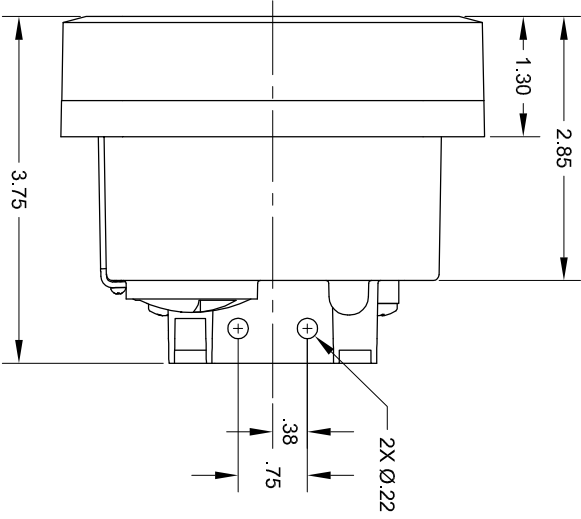
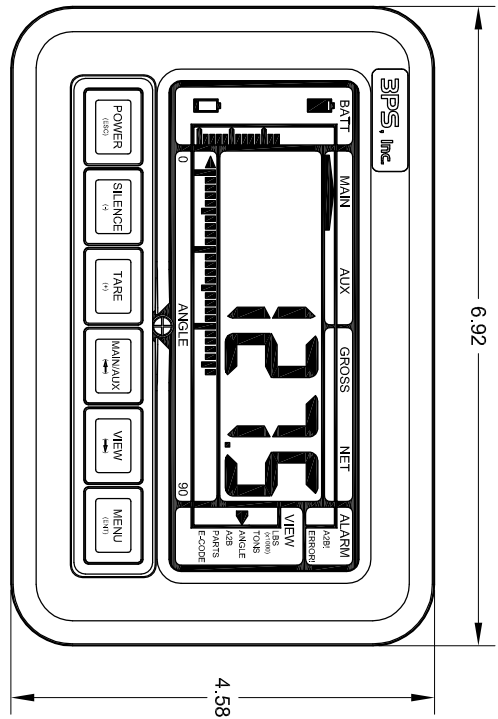


SPECIFICATIONS:

1. GENERAL:
 - 1.1 NUMERIC DISPLAY: 5-1/2 DIGIT, 7 SEGMENT, LCD
 - 1.2 20 SEGMENT HORIZONTAL BAR GRAPH FOR BATTERY MONITORING
 - 1.3 40 SEGMENT HORIZONTAL BAR GRAPH FOR OPTIONAL BOOM ANGLE MONITORING
 - 1.4 16 SPECIAL ICONS FOR STATUS INDICATION
 - 1.5 GROSS/NET/TARE FEATURE
 - 1.6 ONE OR TWO FALL OPERATION
 - 1.7 BUZZER: 2900HZ
 - 1.8 SIX BUTTON KEYPAD
2. CONNECTIONS:
 - 2.1 POWER: 7-30 VDC
 - 2.2 WIRELESS DATA, 2.4GHZ SPREAD SPECTRUM
 - 2.3 CANBUS DATA, FAULT PROTECTED
 - 2.4 TWO ALARM OUTPUTS (A2B ALARM), SOLID STATE, FAULT PROTECTED
3. CONSTRUCTION:
 - 3.1 HOUSING MATERIAL: CELCON (ACETAL), PER UL 746C(FI)
 - 3.2 HARDWARE: STAINLESS STEEL AND BRASS
 - 3.3 LENS: 1/4" THICK POLYCARBONATE (LEXAN)
4. ENVIRONMENTAL:
 - 4.1 OPERATING TEMPERATURE: -30°C TO +75°C
 - 4.2 STORAGE TEMPERATURE: -40°C TO +85°C
 - 4.3 SEALING: IP67



SPECIFICATION CONTROL DRAWING

REVISIONS			
REV	DESCRIPTION	APPROVED	DATE
A	INITIAL RELEASE	M ALKNER	05/10/12
B	REV PER ECO 2960	K CORPORATION	01/22/14

TOLERANCES (UNLESS OTHERWISE SPECIFIED)	
HOLE:	+0.06
DECREMENTAL:	.XXX ±.005
DECIMAL:	.XX ±.01
ANGLE:	±1°
SURFACE FINISH:	125
REMOVE ALL BURRS, BREAK SHARP EDGES R.015 MAX. INSIDE CORNER R.ADH. 0.15 MAX.	

DATE	BY	CHECKED	IN CHARGE	RELEASED	DATE
06/10/12	J. HANBRIGHT	M. ALKNER	M. ALKNER		05/10/12
					05/10/12

GENSTORS
SYSTEMS
SERVICES
3 Point Solutions

1300 Arrow Point Dr.
 Cedar Park, TX

DISPLAY, DIGITAL, 5-1/2 DIGIT, LCD,
 WIRELESS & CANBUS COMMUNICATION

DRAWING NO. BGD01-CB003-0
 SHEET 1 OF 1

EXPORT COMPLIANCE: TRANSFER OF 3PS DATA (DOCUMENTS, SOFTWARE, DRAWINGS, SPECS, ETC) BY ANY MEANS TO A FOREIGN PERSON OR ENTITY, WHETHER IN THE UNITED STATES OR ABROAD, MAY REQUIRE U.S. GOVERNMENT AUTHORIZATION.
 THIS DOCUMENT MAY NOT BE COPIED OR REPRODUCED IN ANY WAY WITHOUT THE WRITTEN CONSENT OF 3PS, INC. 3PS, INC. OWNS ALL RIGHTS TO THIS WORK AND INTENDS TO ENFORCE ITS RIGHTS UNDER THE COPYRIGHT LAWS AS A PUBLISHED WORK.
 © 2012 BY 3PS, INC



DIMENSIONAL LIMITS APPLY AFTER FINISH-PLATING.
 UNLESS OTHERWISE SPECIFIED ALL DIMENSIONS ARE IN INCHES, MILLIMETERS IN BRACKETS.